



Linde Material Handling

*Linde*



## Semi Automated Order Pickers

# N20 | B-N25 SA N20-25 C SA N20 C D | LOL | L SA

Capacity 2.0–2.5 t | Series 1115 | 4587 | 4589 | 4590

### Productive co-drivers

- Semi-automated driving modes increase picking efficiency by up to 20 percent
- Eliminating the need to step on and off the vehicle reduces operator walking distances
- Increased operator concentration increases picking performance and reduces errors
- Two driving modes 'walk with me' and 'continuous' cover most customer applications
- More efficient through partial automation without having to change existing processes

# TECHNICAL DATA (according to VDI 2198)

Characteristics	1.1	Manufacturer		LINDE MH	LINDE MH	LINDE MH	LINDE MH
	1.2	<b>Manufacturer's type designation</b>		<b>N20 B SA</b>	<b>N20 SA</b>	<b>N25 SA</b>	<b>N20 C SA</b>
	1.2a	Series		1115-00	1115-00	1115-00	4587
	1.3	Power unit		Battery	Battery	Battery	Battery
	1.4	Operation		Order picker	Order picker	Order picker	Order picker
	1.5	Load capacity/Load	Q (t)	2.0	2.0	2.5	2.0
	1.6	Load centre distance	c (mm)	600	600	1200	1200
	1.8	Axle centre to fork face	x (mm)	900/970 <sup>1) 2)</sup>	900/970 <sup>1) 2)</sup>	1775/1845 <sup>1) 2)</sup>	1615 <sup>14)</sup>
	1.9	Wheelbase	y (mm)	2609/2717 <sup>2) 3) 4)</sup>	2609/2717 <sup>2) 3) 4)</sup>	2609/2717 <sup>2) 3) 4)</sup>	2717 <sup>14) 15)</sup>
Weights	2.1	Service weight	(kg)	953 <sup>3)</sup>	953 <sup>3)</sup>	996 <sup>3)</sup>	1268 <sup>14)</sup>
	2.2	Axle load with load, front/rear	(kg)	1303/1650 <sup>3)</sup>	1303/1650 <sup>3)</sup>	1503/1993 <sup>3)</sup>	1210/2058
	2.3	Axle load without load, front/rear	(kg)	821/132 <sup>3)</sup>	821/132 <sup>3)</sup>	841/155 <sup>3)</sup>	987/281
Wheels/Tyres	3.1	Tyres: solid rubber, polyurethane		R+P/P	R+P/P	R+P/P	P/P
	3.2	Tyre size, front		Ø 254 × 102	Ø 254 × 102	Ø 254 × 102	Ø 254 × 102
	3.3	Tyre size, rear		Ø 85 × 80	Ø 85 × 80	Ø 85 × 80	Ø 85 × 100
	3.4	Auxiliary wheels (dimensions)		2x Ø 140 × 50	2x Ø 140 × 50	2x Ø 140 × 50	Ø 150 × 50
	3.5	Wheels, number front/rear (x = driven)		1x + 1/2 (1x + 1/4) <sup>6)</sup>	1x + 1/2 (1x + 1/4) <sup>6)</sup>	1x + 1/2 (1x + 1/4) <sup>6)</sup>	1x - 1/2
	3.6	Track width, front	b10 (mm)	491 <sup>2)</sup>	491 <sup>2)</sup>	491 <sup>2)</sup>	474
	3.7	Track width, rear	b11 (mm)	355 (375/395/515) <sup>2)</sup>	355 (375/395/515) <sup>2)</sup>	355 (375/395/515) <sup>2)</sup>	348 (368/388/498)
Dimensions	4.4	Lift	h3 (mm)	115	115	115	130
	4.8	Seat height relative to SIP/stand height	h7 (mm)	-	-	-	130
	4.9	Height drawbar in driving position min./max.	h14 (mm)	-	-	-	1258 <sup>16)</sup>
	4.15	Height, lowered	h13 (mm)	85 <sup>7)</sup>	85 <sup>7)</sup>	85 <sup>7)</sup>	85 <sup>7)</sup>
	4.19	Overall length	l1 (mm)	2500 <sup>2) 8)</sup>	2500 <sup>2) 8)</sup>	3750 <sup>2) 8)</sup>	3860 <sup>15)</sup>
	4.20	Length to fork face	l2 (mm)	1350 <sup>2) 4)</sup>	1350 <sup>2) 4)</sup>	1350 <sup>2) 4)</sup>	1470 <sup>15)</sup>
	4.21	Overall width	b1/b2 (mm)	790 <sup>2)</sup>	790 <sup>2)</sup>	790 <sup>2)</sup>	822
	4.22	Fork dimensions DIN ISO 2331	s/e/l (mm)	55/165/ 1.150 <sup>2)</sup>	55/165/1.150 <sup>2)</sup>	55/165/ 2.400 <sup>2)</sup>	61 (78 max)/172/2390
	4.25	Fork spread	b5 (mm)	520 (540/560/680) <sup>2)</sup>	520 (540/560/680) <sup>2)</sup>	520 (540/560/680) <sup>2)</sup>	520 (540/560/670)
	4.32	Ground clearance, centre of wheelbase	m2 (mm)	160/30 <sup>1) 9)</sup>	160/30 <sup>1) 9)</sup>	160/30 <sup>1) 9)</sup>	24/154 <sup>17)</sup>
	4.34	Aisle width predetermined load dimensions	Ast (mm)	2950 <sup>4) 10) 11)</sup>	2950 <sup>4) 10) 11)</sup>	4067 <sup>4) 10) 11)</sup>	4158 <sup>4) 10)</sup>
4.35	Turning radius	Wa (mm)	2250/2320 <sup>1) 4)</sup>	2250/2320 <sup>1) 4)</sup>	3125/3195 <sup>1) 4)</sup>	3083 <sup>14)</sup> /2975 <sup>14) 15) 17)</sup>	
Performance	5.1	Travel speed, with/without load	(km/h)	10/12 <sup>12)</sup>	10/12 <sup>12)</sup>	10/12 <sup>12)</sup>	9/12 <sup>18)</sup>
	5.1.1	Travel speed, with/without load, backwards	(km/h)	10/10 <sup>12)</sup>	10/10 <sup>12)</sup>	10/10 <sup>12)</sup>	8/11
	5.1.2	Travel speed, with/without load, backwards	(km/h)	6	6	6	6
	5.2	Lifting speed, with/without load	(m/s)	0.060/0.070 <sup>5)</sup>	0.060/0.070 <sup>5)</sup>	0.060/0.070 <sup>5)</sup>	0.070/0.111
	5.3	Lowering speed, with/without load	(m/s)	0.060/0.080 <sup>5)</sup>	0.060/0.080 <sup>5)</sup>	0.060/0.080 <sup>5)</sup>	0.084/0.067
	5.8	Maximum climbing ability, with/without load	%	16.0/13.0	16.0/13.0	14.0/13.0	7.0/12.0 <sup>19) 20)</sup>
	5.9	Acceleration time, with/without load	s	5.8/4.5	5.8/4.5	5.8/4.5	6.1/4.8
	5.10	Service brake		Electric/hydraulic	Electric/hydraulic	Electric/hydraulic	Electromagnetic
Drive	6.1	Drive motor rating S2 60 min	(kW)	3	3	3	3
	6.2	Lift motor rating at S3 15 %	(kW)	1.2/15 %	1.2/15 %	1.5/15 %	2.2/5 %
	6.3	Battery according to DIN 43531/35/36 A, B, C, no		43 535/3 PzS	43 535/3 PzS	43 535/3 PzS	no
	6.4	Battery voltage/ rated capacity (5 h)	(V)/(Ah)	24/345-375	24/345-375	24/345-375	24/345-465
	6.5	Battery weight (±5 %)	(kg)	272/315 <sup>9) 13)</sup>	272/315 <sup>9) 13)</sup>	272/315 <sup>9) 13)</sup>	402
	6.6	Power consumption according to VDI cycle (EN 16796)	(kWh/h)	0.5	0.5	0.48	0.45 <sup>8)</sup>
	6.6.1	CO <sub>2</sub> equivalent emissions	(kg/h)	-	-	-	0.2
	6.7	Turnover output according to VDI 2198	(t/h)	136.0	136.0	162.5	129.0
6.8	Turnover efficiency according to VDI 2198	(t/kwh)	93.2	93.2	113.6	67.9	
Others	8.1	Type of drive unit		LAC	LAC	LAC	AC control
	10.7	Sound pressure level LpAZ (at the operator's seat)	(dB(A))	< 85	< 85	< 85	< 70

1) Forks raised/lowered

2) (±5 mm)

3) With/without initial lift

4) Values for 3 PzS batteries. 4 PzS battery = tabled values +100 mm

5) (±10 %)

6) Figures in parenthesis with tandem load wheels

7) (-0/+5 mm)

8) ±0 mm = 3 PzS lateral;

+100 mm = 3 PzS vertical and 4 PzS lateral; +150 mm = 4 PzS vertical

9) (±2 mm)

10) Including a 200 mm (min.) operating aisle clearance

11) Forks raised

12) (±5 %)

13) Min./max.

14) With fork length 2390 mm/x = 1615 mm/pull bar version

15) With tray 4 Pz or Li-ION +114 mm

16) With tiller adjustment option, h14 setting range = +89 mm / -19 mm

17) With load arms or forks raised

18) Traction speed unladen until 14 km/h available as option

19) On rounded edge slope with forks/arms raised, if possible

20) With tray 4PzS +114 mm

21) With holder for vertical pallet 1365 / 765 mm

22) With optional frame extension for safe transport of industrial pallets in autonomous mode

23) In bracket: minimum geometric limit on unrounded edge slope with or without foot guard; due to manufacturing and assembly tolerances, it is recommended to foresee a decrease in the nominal values of not less than 1 %

24) With pallet holder +61 mm

# TECHNICAL DATA (according to VDI 2198)

Characteristics	1.1	Manufacturer		LINDE MH	LINDE MH	LINDE MH	LINDE MH
	1.2	<b>Manufacturer's type designation</b>		<b>N25 C SA</b>	<b>N20 C D SA</b>	<b>N20 C LoL SA</b>	<b>N20 C L SA</b>
	1.2a	Series		4587	4589	4589	4590
	1.3	Power unit		Battery	Battery	Battery	Battery
	1.4	Operation		Order picker	Order picker	Order picker	Order picker
	1.5	Load capacity/Load	Q (t)	2.5	2.0 (1.2 on main lift)	2.0/1.0 on main lift	1.2
	1.6	Load centre distance	c (mm)	1200	600	1248/600 on main lift <sup>20)</sup>	600
	1.8	Axle centre to fork face	x (mm)	1615 <sup>14)</sup>	944/816 <sup>17)</sup>	1910/1782 <sup>17)</sup>	670
	1.9	Wheelbase	y (mm)	2717 <sup>14) 15)</sup>	2260/2132 <sup>17) 15)</sup>	3225/3097 <sup>17) 15)</sup>	1823 <sup>15)</sup>
Weights	2.1	Service weight	(kg)	1293 <sup>14)</sup>	1566	1657	1398
	2.2	Axle load with load, front/rear	(kg)	1278/2515	1368/2198	1629/2028	1010/1588
	2.3	Axle load without load, front/rear	(kg)	996/297	1114/452	1260/397	965/433
Wheels/Tyres	3.1	Tyres: solid rubber, polyurethane		P/P	P/P	P/P	P/P
	3.2	Tyre size, front		Ø 254 × 102	Ø 254 × 102	Ø 254 × 102	Ø 254 × 102
	3.3	Tyre size, rear		Ø 85 × 80	Ø 85 × 80	Ø 85 × 80	Ø 85 × 80
	3.4	Auxiliary wheels (dimensions)		Ø 150 × 50	Ø 150 × 50	Ø 150 × 50	Ø 150 × 50
	3.5	Wheels, number front/rear (x = driven)		1x - 1/4	1x - 1/4	1x - 1/4	1x - 1/4
	3.6	Track width, front	b10 (mm)	474	474	474	474
	3.7	Track width, rear	b11 (mm)	348 (368/388/498)	380	370	(348) 388
Dimensions	4.4	Lift	h3 (mm)	130	130	130	130
	4.8	Seat height relative to SIP/stand height	h7 (mm)	130	130	130	130
	4.9	Height drawbar in driving position min./max.	h14 (mm)	1258 <sup>16)</sup>	1258 <sup>16)</sup>	1258 <sup>16)</sup>	1258 <sup>16)</sup>
	4.15	Height, lowered	h13 (mm)	85 <sup>7)</sup>	91 <sup>7)</sup>	91 <sup>7)</sup>	86 <sup>7)</sup>
	4.19	Overall length	l1 (mm)	3860 <sup>15)</sup>	2833 <sup>15)</sup>	4185 <sup>15)</sup>	2712 <sup>15)</sup>
	4.20	Length to fork face	l2 (mm)	1470 <sup>15)</sup>	1683 <sup>15)</sup>	1683 <sup>15)</sup>	1522 <sup>15)</sup>
	4.21	Overall width	b1/b2 (mm)	822	822 (1000) <sup>22)</sup>	822 (1000) <sup>22)</sup>	822 (1000) <sup>22)</sup>
	4.22	Fork dimensions DIN ISO 2331	s/e/l (mm)	61 (78 max)/172/2390	55/180/1150	60 (72 max)/200/1295	55/172/1190
	4.25	Fork spread	b5 (mm)	520 (540/560/670)	560	570	(520) 560
	4.32	Ground clearance, centre of wheelbase	m2 (mm)	24/154 <sup>17)</sup>	25/155 <sup>17)</sup>	25/155 <sup>17)</sup>	30
4.34	Aisle width predetermined load dimensions	Ast (mm)	4158 <sup>4) 10)</sup>	3252 <sup>17) 20)</sup>	4481 <sup>17) 20) 24)</sup>	3053 <sup>20)</sup>	
4.35	Turning radius	Wa (mm)	3083 <sup>14)</sup> / 2975 <sup>14) 15) 17)</sup>	2626 / 2498 <sup>17) 15)</sup>	3591 / 3463 <sup>17) 15)</sup>	2189	
Performance	5.1	Travel speed, with/without load	(km/h)	9/12 <sup>18)</sup>	9/12	9/12	9/12
	5.1.1	Travel speed, with/without load, backwards	(km/h)	8/11	8/10	8/10	8/10
	5.1.2	Travel speed, with/without load, backwards	(km/h)	6	6	6	6
	5.2	Lifting speed, with/without load	(m/s)	0.064/0.089	0.15/0.25	0.159/0.253	0.135/0.218
	5.3	Lowering speed, with/without load	(m/s)	0.068/0.066	0.19/0.25	0.218/0.240	0.130/0.122
	5.8	Maximum climbing ability, with/without load	%	7.0/12.0 <sup>19) 20)</sup>	8.0/15.0 (8.9;7.1) <sup>23)</sup>	7.0/12.0 (6.6;5.3) <sup>23)</sup>	7.8/15.0 (6.2) <sup>23)</sup>
	5.9	Acceleration time, with/without load	s	6.4/4.8	6.6/5.3	6.5/5.3	5.8/4.9
5.10	Service brake		Electromagnetic	Electromagnetic	Electromagnetic	Electromagnetic	
Drive	6.1	Drive motor rating S2 60 min	(kW)	3	3	3	3
	6.2	Lift motor rating at S3 15 %	(kW)	2.2/5 %	2.2/5 %	2.2/5 %	2.2/5 %
	6.3	Battery according to DIN 43531/35/36 A, B, C, no		no	no	no	no
	6.4	Battery voltage/ rated capacity (5 h)	(V)/(Ah)	24/345-465	24/345-465	24/345-465	24/345-465
	6.5	Battery weight (±5 %)	(kg)	402	402	402	402
	6.6	Power consumption according to VDI cycle (EN 16796)	(kWh/h)	0.48 <sup>8)</sup>	0.39	0.39	0.3
	6.6.1	CO <sub>2</sub> equivalent emissions	(kg/h)	0.3	0.2	0.2	0.2
	6.7	Turnover output according to VDI 2198	(t/h)	157.0	126	129	81
6.8	Turnover efficiency according to VDI 2198	(t/kwh)	71.4	74.1	67.9	45	
Others	8.1	Type of drive unit		AC control	AC control	AC control	AC control
	10.7	Sound pressure level LpAZ (at the operator's seat)	(dB(A))	< 70	< 70	< 70	< 70

1) Forks raised/lowered

2) (±5 mm)

3) With/without initial lift

4) Values for 3 PzS batteries. 4 PzS battery = tabled values +100 mm

5) (±10 %)

6) Figures in parenthesis with tandem load wheels

7) (-0/+5 mm)

8) ±0 mm = 3 PzS lateral;

+100 mm = 3 PzS vertical and 4 PzS lateral; +150 mm = 4 PzS vertical

9) (±2 mm)

10) Including a 200 mm (min.) operating aisle clearance

11) Forks raised

12) (±5 %)

13) Min./max.

14) With fork length 2390 mm/x = 1615 mm/pull bar version

15) With tray 4 Pz or Li-ION +114 mm

16) With tiller adjustment option, h14 setting range = +89 mm / -19 mm

17) With load arms or forks raised

18) Traction speed unladen until 14 km/h available as option

19) On rounded edge slope with forks/arms raised, if possible

20) With tray 4PzS +114 mm

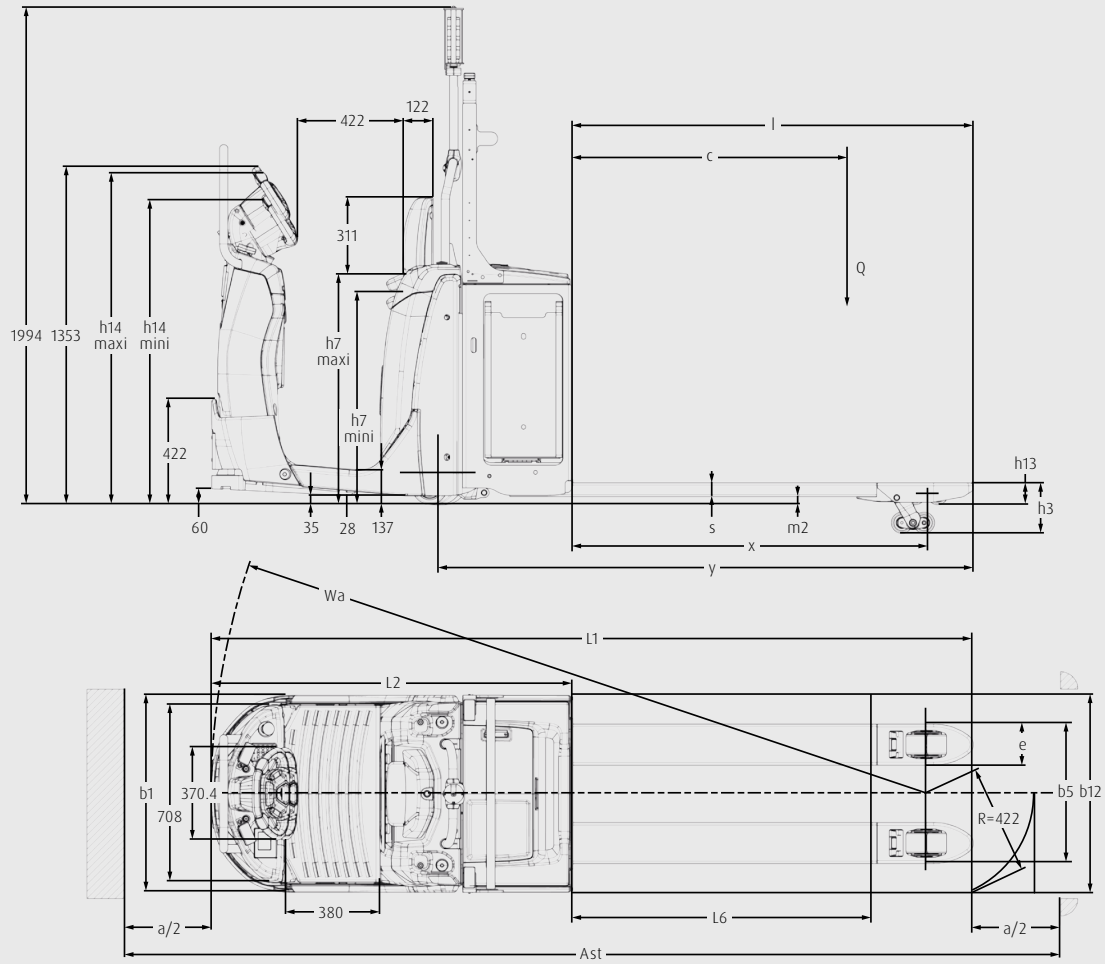
21) With holder for vertical pallet 1365 / 765 mm

22) With optional frame extension for safe transport of industrial pallets in autonomous mode

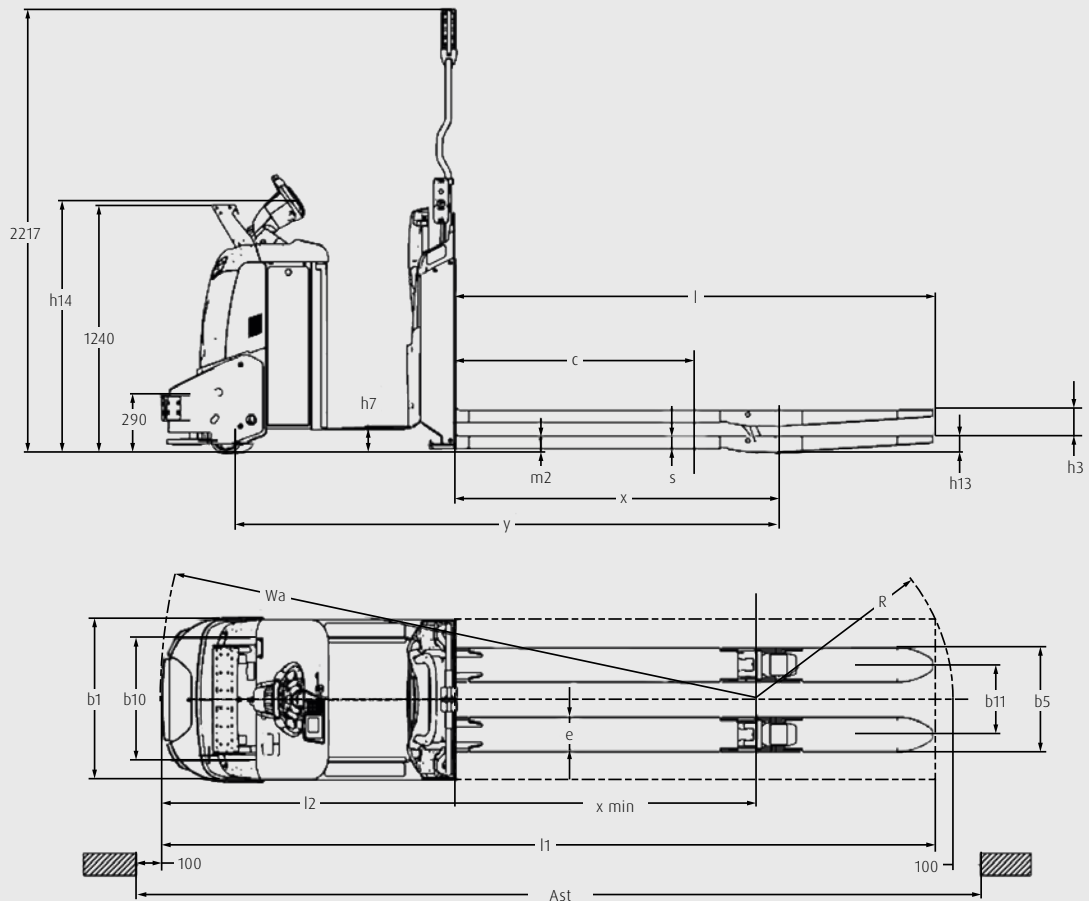
23) In bracket: minimum geometric limit on unrounded edge slope with or without foot guard; due to manufacturing and assembly tolerances, it is recommended to foresee a decrease in the nominal values of not less than 1 %

24) With pallet holder +61 mm

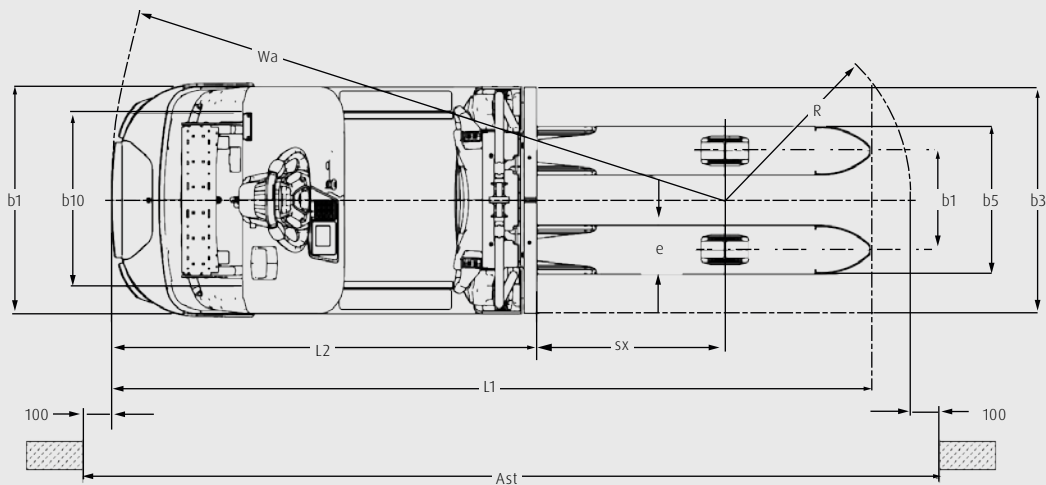
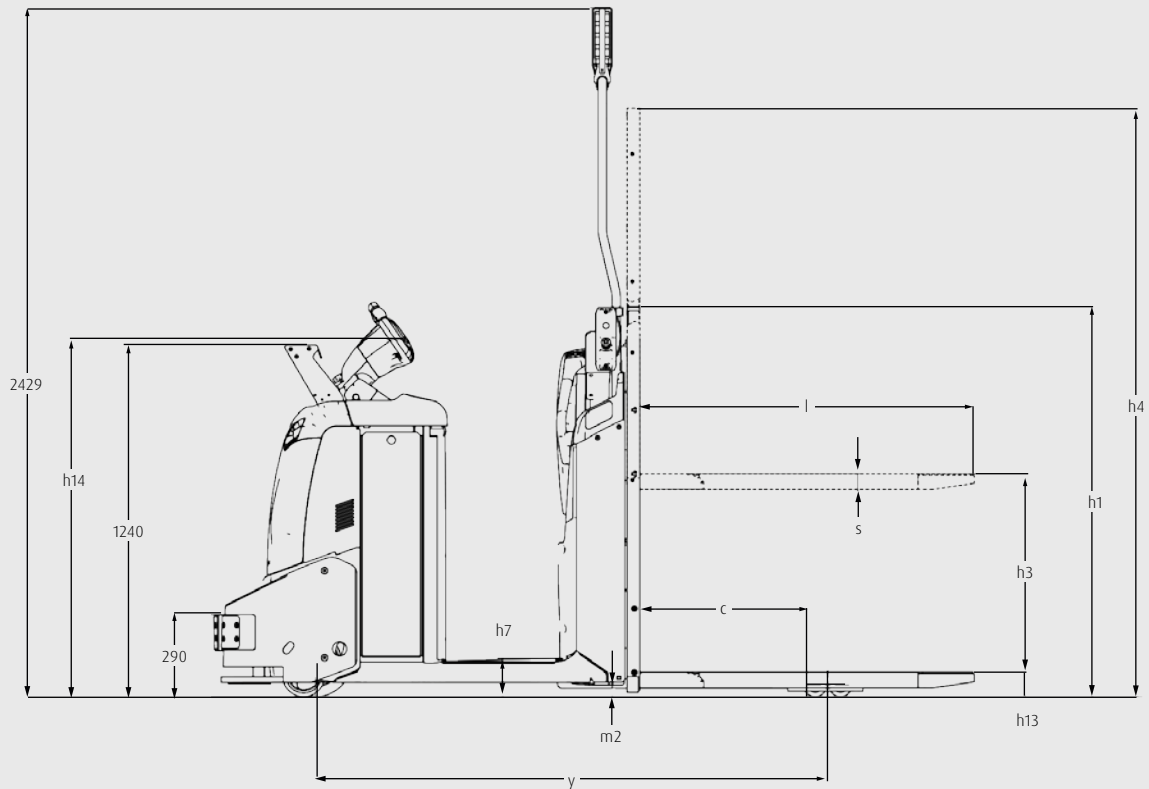
## N20 SA



## N20 C SA



# N20 C L SA



## STANDARD MAST (mm)

Series	700E	1580S	800S
Lift	h3: 700	h3: 1580	h3: 800
Height measurements	h1: 1375 h2: - h4: 2075	h1: 1276 h2: 150 h4: 2066	h1: 1276 h2: 150 h4: 1676
Model			
N20 C L SA	●	—	—
N20 C D SA	—	●	—
N20 C LoL SA	—	●	○

● Standard equipment    ○ Optional equipment    — Not available

**h1:** Height of mast, lowered

**h2:** Free lift

**h3:** Lift

**h4:** Height of mast, extended

# STANDARD AND OPTIONAL EQUIPMENT

Model/equipment		N20 B SA	N20 SA	N25 SA	N20 C SA
Safety	Front cast bumper with integrated safety scanner	●	●	●	●
	Low-mounted high level safety scanner	●	●	●	●
	Automatic speed reduction when cornering	●	●	●	●
	Lighting pole (mounted on rear accessory support)	●	●	●	●
	Linde BlueSpot™	○	○	○	○
	Front LED light	○	○	○	○
	Additional emergency buttons located in the rear part	●	●	●	●
	Key switch	●	●	●	●
	Log in PIN code	○	○	○	○
Operation/ load handling	Follow-me function with walk-with-me mode	●	●	●	●
	Stop&Go function with continuous driving mode	●	●	●	●
	Rear initial lift control	○	○	○	○
	Initial lift electrical stop sensor	●	●	●	●
	Low speed if initial lift low	○	○	○	○
	Load backrest	○	○	○	○
	Remote control	○	○	○	○
	Remote control charger	○	○	○	○
Digitalisation	Linde connect: desk	○	○	○	○
	ac: access control (PIN or RFID)	○	○	○	○
	dt: crash detection	○	○	○	○
	an: usage analysis	○	○	○	○
	Linde connect: cloud	○	○	○	○
	Basic Package (trouble codes, operating hours, truck mapping)	○	○	○	○
	Data transmission (WiFi or Online)	○	○	○	○
Workplace	Damped platform option	–	–	–	○
	Height adjustable Linde Steering Wheel	○	○	○	○
	Knee protection	●	●	●	○
	Basic rounded display	●	–	–	–
	Multifunction coloured display hour meter, maintenance indication, battery discharge indicator and internal fault code indication	–	●	●	●
	Height adjustable backrest including foldable seating support	○	○	○	○
	Accessory support front	○	○	○	○
	Accessory support rear (includes central pole for N20 series)	●	●	●	●
	Support data terminal and power supply cable 24 V	○	○	○	○
	Support clipboard DIN A4 and support for scanner	○	○	○	○
Attachment	Fork carriage up to 680 mm (depending on model)	○	○	○	○
	Fork length up to 3100 mm (depending on model)	○	○	○	○
	Overhang up to 975 mm (depending on model)	○	○	○	○
	Drive wheel Heavy Duty	●	●	●	●
Axles and tyres	Drive wheel High Grip	○	○	○	○
	Single/tandem load wheels polyurethane (greasable)	○	○	○	○
	Standard castor wheel	●	●	●	●
	Power-assisted steering	●	●	●	●
Drive system	3 kW AC motor (maintenance-free)	●	●	●	●
	Electromagnetic braking system	●	●	●	●
	Battery compartment, vertical change 3 PzS (300 Ah/375 Ah) and 4 PzS (480 Ah/620 Ah)	–	–	–	●
	Battery compartment, lateral battery change 3 PzS (345 Ah/375 Ah) and 4PzS (460 Ah/500 Ah), including ergonomic lever and metal rollers	●	●	●	○
	Battery compartment, side change 3 PzS (345 Ah/465 Ah) and 4 PzS (460 Ah/620 Ah), including ergonomic lever and metal rollers	○	○	○	○
	Battery compartment, Li-ION battery (205 Ah/410 Ah) including side plug for opportunity charging	○	○	○	○
Service	Li-ION 24 V chargers	○	○	○	○
	CAN bus technology	●	●	●	●
	Rack configurations and end-of-an aisle stop adjustments	●	●	●	●

● Standard equipment

○ Optional equipment

– Not available

# STANDARD AND OPTIONAL EQUIPMENT

Model/equipment		N25 C SA	N20 C D SA	N20 C LoL SA	N20 C L SA
Safety	Front cast bumper with integrated safety scanner	●	●	●	●
	Low-mounted high level safety scanner	●	●	●	●
	Automatic speed reduction when cornering	●	●	●	●
	Lighting pole (mounted on rear accessory support)	●	●	●	●
	Linde BlueSpot™	○	○	○	○
	Front LED light	○	○	○	○
	Additional emergency buttons located in the rear part	●	●	●	●
	Key switch	●	●	●	●
	Log in PIN code	○	○	○	○
Operation/ load handling	Follow-me function with walk-with-me mode	●	●	●	●
	Stop&Go function with continuous driving mode	●	●	●	●
	Rear initial lift control	○	○	○	○
	Initial lift electrical stop sensor	●	●	●	●
	Low speed if initial lift low	○	○	○	○
	Load backrest	○	○	○	○
	Remote control	○	○	○	○
	Remote control charger	○	○	○	○
Digitalisation	Linde connect: desk	○	○	○	○
	ac: access control (PIN or RFID)	○	○	○	○
	dt: crash detection	○	○	○	○
	an: usage analysis	○	○	○	○
	Linde connect: cloud	○	○	○	○
	Basic Package (trouble codes, operating hours, truck mapping)	○	○	○	○
	Data transmission (WiFi or Online)	○	○	○	○
Workplace	Damped platform option	○	○	○	○
	Height adjustable Linde Steering Wheel	○	○	○	○
	Knee protection	○	○	○	○
	Basic rounded display	–	–	–	–
	Multifunction coloured display hour meter, maintenance indication, battery discharge indicator and internal fault code indication	●	●	●	●
	Height adjustable backrest including foldable seating support	○	○	○	○
	Accessory support front	○	○	○	○
	Accessory support rear (includes central pole for N20 series)	●	●	●	●
	Support data terminal and power supply cable 24 V	○	○	○	○
	Support clipboard DIN A4 and support for scanner	○	○	○	○
Attachment	Fork carriage up to 680 mm (depending on model)	○	○	○	○
	Fork length up to 3100 mm (depending on model)	○	–	–	–
	Overhang up to 975 mm (depending on model)	○	–	–	–
	Drive wheel Heavy Duty	●	●	●	●
Axles and tyres	Drive wheel High Grip	○	○	○	○
	Single/tandem load wheels polyurethane (greasable)	○	○	○	○
	Standard castor wheel	●	●	●	●
	Power-assisted steering	●	●	●	●
Drive system	3 kW AC motor (maintenance-free)	●	●	●	●
	Electromagnetic braking system	●	●	●	●
	Battery compartment, vertical change 3 PzS (300 Ah/375 Ah) and 4 PzS (480 Ah/620 Ah)	●	●	●	●
	Battery compartment, lateral battery change 3 PzS (345 Ah/375 Ah) and 4PzS (460 Ah/500 Ah), including ergonomic lever and metal rollers	○	○	○	○
	Battery compartment, side change 3 PzS (345 Ah/465 Ah) and 4 PzS (460 Ah/620 Ah), including ergonomic lever and metal rollers	○	○	○	○
	Battery compartment, Li-ION battery (205 Ah/410 Ah) including side plug for opportunity charging	○	○	○	○
Service	Li-ION 24 V chargers	○	○	○	○
	CAN bus technology	●	●	●	●
	Rack configurations and end-of-an aisle stop adjustments	●	●	●	●

● Standard equipment

○ Optional equipment

– Not available

# CHARACTERISTICS



Linde BlueSpot™ and bumper including safety scanner

## Safety

- Various safety systems prevent personal accidents and collisions in semi-automated operation
- Safety scanner at the front of the vehicle also detects obstacles that suddenly appear in front of the order picker
- Four antennas determine the relative position of the operator
- Special protection on the bumper prevents feet from getting under the vehicle
- Pole-mounted lights indicate current driving mode and warn when remote control and vehicle are not coupled
- Vehicle independently maintains distance from racking and stops at the end of the aisle to prevent accidents



Ergonomic remote

## Ergonomics

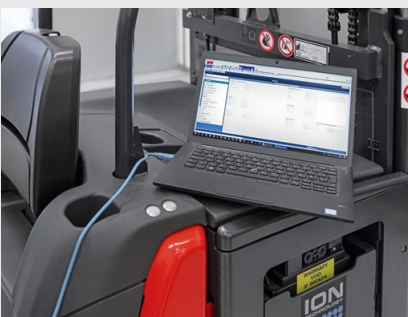
- Semi-automated operation eliminates the need to repeatedly step on and off the vehicle and prevents fatigue
- Activation of the semi-automated modes is intuitive, safe and easy via remote control
- In 'walk with me' mode, the operator can choose from three different positions that activate the vehicle's onward travel to provide the ideal walking path to the pallet



Walk with me or Stop and Go function

## Handling

- In 'walk with me' mode, the vehicle follows the operator while picking on one side of the rack, eliminating the walk from the operator's platform to the pallet
- In 'continuous' mode, the drive is activated via the remote control and enables convenient order picking on both sides of the rack
- Ultra-wideband connection between the vehicle and the remote control ensures precise localisation of the operator and exact reaction of the vehicle to the operator's movements
- Semi-automatic operation is deactivated as soon as the operator drives the vehicle

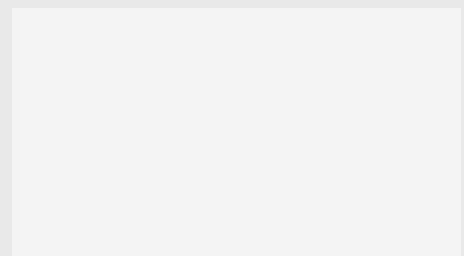


Computerised diagnostic

## Service

- Easy cleaning of the safety scanner
- Vehicle display, lamp post and laser display always provide information on current vehicle status
- Linde diagnostic tool and CAN bus connection enable simple diagnostics in the event of a repair
- Simple setup of the semi-automatic system to application conditions such as aisle width or rack length

Presented by:



Subject to modification in the interest of progress. Illustrations and technical details could include options and are not binding for actual constructions. All dimensions subject to usual tolerances.



## Linde Material Handling GmbH

Carl-von-Linde-Platz | 63743 Aschaffenburg | Germany  
Phone + 49 6021 99 0 | Fax + 49 6021 99 1570  
www.linde-mh.com | info@linde-mh.com

Printed in Germany | DS\_N20\_N25\_SA\_1115-4590\_en\_D\_0323