



Electric Heavy Truck

E100 – E180

Capacity 10.0 – 18.0 t | Series 1471

Silent Power Athlete

- Most powerful electric forklift in its class, combines highest performance with dynamics and zero emissions
- Heavy-duty transport up to 18000 kilograms, lifting height up to ten meters
- Vehicles can be adapted to every customer application with lead-acid or lithium-ion battery pairs
- Cost-efficient variant with lead-acid battery pair

TECHNICAL DATA (According to VDI 2198)

	Model designation							
			E100 - 600	E120 - 600	E140 - 600	E150 - 600		
Characteristics	1.1	Manufacturer	LINDE	LINDE	LINDE	LINDE		
	1.2	Model designation	E100 - 600	E120 - 600	E140 - 600	E150 - 600		
	1.3	Power unit	Battery	Battery	Battery	Battery		
	1.4	Operation	Rider seated	Rider seated	Rider seated	Rider seated		
	1.5	Load capacity	Q (t)	10	12	14	15	
	1.6	Load centre	c (mm)	600	600	600	600	
	1.8	Axle centre to fork face (Std. Mast, Int. Forks)	x (mm)	847	847	884	884	
	1.9	Wheelbase	y (mm)	3000	3000	3000	3250	
	Weights	2.1	Service Weight incl 2 × 930 Ah Lead Acid (2 × 1240 Ah Lead Acid add 714 kg)	(kg)	22697	22697	23920	24213
2.2		Laden Front Axle weight	(kg)	26514	29479	34031	35052	
2.2		Laden Rear Axle weight	(kg)	6183	5218	3889	4161	
2.3		Unladen Front Axle weight	(kg)	11691	11691	13106	13203	
2.3		Unladen Rear Axle weight	(kg)	11006	11006	10814	11010	
Wheels / Tyres	3.1	Tyres, front / rear, P = (pneumatic)		Pneumatic	Pneumatic	Pneumatic	Pneumatic	
	3.2	Tyre size, front		12.00 × 20/20 PR	12.00 × 20/20 PR	12.00 × 20/20 PR	12.00 × 20/20 PR	
	3.3	Tyre size, rear		12.00 × 20/20 PR	12.00 × 20/20 PR	12.00 × 20/20 PR	12.00 × 20/20 PR	
	3.5	Wheels, number, front / rear (x = driven)		4x/2	4x/2	4x/2	4x/2	
	3.6	Track width, front	b10 (mm)	1874	1874	1874	1874	
	3.7	Track width, rear	b11 (mm)	1970	1970	1970	1970	
	3.8	Rolling Radius	r1 (mm)	539	539	569	569	
	Dimensions	4.1	Mast/fork carriage tilt, forward/backward	A/B (°)	15/10	15/10	15/10	15/10
4.2		Height of mast lowered	h1 (mm)	3404	3404	3736	3736	
4.3		Free lift	h2 (mm)	150	150	150	150	
4.4		Lift	h3 (mm)	4000	4000	4000	4000	
4.5		Height of mast extended	h4 (mm)	5329	5329	5661	5661	
4.7		Height of overhead guard (cabin)	h6 (mm)	3010	3010	3035	3035	
4.8		Height, operators seat (SIP)	h7 (mm)	1974	1974	2004	2004	
4.12		Towing coupling height	h10 (mm)	550	550	580	580	
4.19		Overall length	l1 (mm)	5784	5784	5766	6016	
4.20		Length to fork face	l2 (mm)	4584	4584	4566	4816	
4.21		Overall width	b1 (mm)	2530	2530	2565	2565	
4.21		Overall width	b2 (mm)	2300	2300	2300	2300	
4.22		Fork dimensions	s/e/l (mm)	90 × 200 × 1200	90 × 200 × 1200	100 × 200 × 1200	100 × 200 × 1200	
4.23		Fork carriage		Hyd Fork Posn.	Hyd Fork Posn.	Hyd Fork Posn.	Hyd Fork Posn.	
4.24		Width of fork carriage	b3 (mm)	2545	2545	2545	2545	
4.25		Fork spread, minimum	b5 (mm)	610	610	620	620	
4.25		Fork spread, maximum	b5 (mm)	2274	2274	2220	2220	
4.31		Ground clearance, mast	m1 (mm)	172	172	200*	200*	
4.32		Ground clearance, centre of wheelbase	m2 (mm)	346	346	376	376	
4.34.1		Aisle width for pallets 1000 × 1200 crossways	Ast (mm)	6149	6149	6186	6422	
4.34.2		Aisle width for pallets 800 × 1200 lengthways	Ast (mm)	6349	6349	6386	6622	
4.34		Aisle width (to fork tip, no pallet)	Ast (mm)	6349	6349	6386	6622	
4.35		Turning radius	Wa (mm)	4102	4102	4102	4338	
4.36		Minimum pivoting point distance	b13 (mm)	1362	1362	1362	1405	
Performance		5.1	Travel speed Lead Acid (laden/unladen)	(km/h)	18/20	18/20	18/20	18/20
		5.2	Lift speed (laden/unladen)	(m/s)	0.39/0.39	0.39/0.39	0.39/0.39	0.39/0.39
	5.3	Lowering speed (laden/unladen)	(m/s)	0.50/0.49	0.50/0.49	0.50/0.49	0.50/0.49	
	5.6	Maximum tractive force, with/without load	(N)	106000	106000	106000	106000	
	5.7	Climbing ability, with/without load	(%)	-	-	-	-	
	5.9	Acceleration time (laden/unladen)	(s)					
	6.1	Drive motor, S2 60 minute rating	(kW)	4 × 18	4 × 18	4 × 18	4 × 18	
	6.2	Lift motor rating at S3 15 %	(kW)	3 × 25	3 × 25	4 × 25	4 × 25	
	6.4	Battery voltage	2 × 80 V/(Ah)	2 × 80/930	2 × 80/930	2 × 80/930	2 × 80/930	
Drive	6.5	Battery weight LA-930 Ah 2290 kg, LA-1240 Ah-2647 kg Li-ION 1316 Ah 2100 kg	(kg)	2 × 2345	2 × 2345	2 × 2345	2 × 2345	
	6.6	Energy consumption according to DIN EN 16796	(kWh/h)	-	-	-	-	
	10.1	Working pressure for attachments	(bar)	250	250	250	250	
	10.2	Oil flow for attachments	(l/min)	5 - 130	5 - 130	5 - 130	5 - 130	
	10.7	Noise level, at operator's ear	dB(A)	70	70	70	70	
	10.8	Trailer coupling pin diameter	(mm)	50	50	50	50	
Others	10.8	Trailer coupling pin diameter	(mm)	50	50	50	50	

1) Power consumption with 45 working cycles per hour see 6.6

* Ground Clearance to Chassis is 287 mm

TECHNICAL DATA (According to VDI 2198)

	Model designation						
			E160 – 600	E180 – 600	E180 – 900	E100 – 1200	
Characteristics	1.1	Manufacturer	LINDE	LINDE	LINDE	LINDE	
	1.2	Model designation	E160 – 600	E180 – 600	E180 – 900	E100 – 1200	
	1.3	Power unit	Battery	Battery	Battery	Battery	
	1.4	Operation	Rider seated	Rider seated	Rider seated	Rider seated	
	1.5	Load capacity	Q (t)	16	18	18	10
	1.6	Load centre	c (mm)	600	600	900	1200
	1.8	Axle centre to fork face (Std. Mast, Int. Forks)	x (mm)	884	884	929	884
	1.9	Wheelbase	y (mm)	3250	3250	3500	3000
	Weights	2.1	Service Weight incl 2 × 930 Ah Lead Acid (2 × 1240 Ah Lead Acid add 714 kg)	(kg)	24315	25961	27345
2.2		Laden Front Axle weight	(kg)	36678	39824	41539	30316
2.2		Laden Rear Axle weight	(kg)	3637	4137	3806	3746
2.3		Unladen Front Axle weight	(kg)	13372	13355	14133	13370
2.3		Unladen Rear Axle weight	(kg)	10942	12606	13212	10692
Wheels / Tyres	3.1	Tyres, front / rear, P = (pneumatic)		Pneumatic	Pneumatic	Pneumatic	Pneumatic
	3.2	Tyre size, front		12.00 × 20/20 PR	12.00 × 20/20 PR	12.00 × 20/20 PR	12.00 × 20/20 PR
	3.3	Tyre size, rear		12.00 × 20/20 PR	12.00 × 20/20 PR	12.00 × 20/20 PR	12.00 × 20/20 PR
	3.5	Wheels, number, front / rear (x = driven)		4x/2	4x/2	4x/2	4x/2
	3.6	Track width, front	b10 (mm)	1874	1874	1874	1874
	3.7	Track width, rear	b11 (mm)	1970	1970	1970	1970
	3.8	Rolling Radius	r1 (mm)	569	569	569	569
	Dimensions	4.1	Mast/fork carriage tilt, forward/backward	A/B (°)	15/10	15/10	15/10
4.2		Height of mast lowered	h1 (mm)	3736	3736	3736	3736
4.3		Free lift	h2 (mm)	150	150	150	150
4.4		Lift	h3 (mm)	4000	4000	4000	4000
4.5		Height of mast extended	h4 (mm)	5661	5661	5661	5661
4.7		Height of overhead guard (cabin)	h6 (mm)	3035	3035	3035	3035
4.8		Height, operators seat (SIP)	h7 (mm)	2004	2004	2004	2004
4.12		Towing coupling height	h10 (mm)	580	580	580	580
4.19		Overall length	l1 (mm)	6016	6171	7066	6984
4.20		Length to fork face	l2 (mm)	4816	4971	5266	4584
4.21		Overall width	b1 (mm)	2565	2565	2565	2565
4.21		Overall width	b2 (mm)	2300	2300	2300	2300
4.22		Fork dimensions	s/e/l (mm)	100 × 200 × 1200	100 × 200 × 1200	100 × 250 × 1800	100 × 200 × 2400
4.23		Fork carriage		Hyd Fork Posn.	Hyd Fork Posn.	Hyd Fork Posn.	Hyd Fork Posn.
4.24		Width of fork carriage	b3 (mm)	2545	2545	2545	2545
4.25		Fork spread, minimum	b5 (mm)	620	620	720	620
4.25		Fork spread, maximum	b5 (mm)	2220	2220	2290	2220
4.31		Ground clearance, mast	m1 (mm)	200*	200*	200*	200*
4.32		Ground clearance, centre of wheelbase	m2 (mm)	376	376	376	376
4.34.1		Aisle width for pallets 1000 × 1200 crossways	Ast (mm)	6422	6596	6883	6186
4.34.2		Aisle width for pallets 800 × 1200 lengthways	Ast (mm)	6622	6796	7083	6386
4.34		Aisle width (to fork tip, no pallet)	Ast (mm)	6622	6796	7683	7586
4.35		Turning radius	Wa (mm)	4338	4512	4754	4102
4.36	Minimum pivoting point distance	b13 (mm)	1405	1405	1448	1362	
Performance	5.1	Travel speed Lead Acid (laden/unladen)	(km/h)	18/20	18/20	18/20	18/20
	5.2	Lift speed (laden/unladen)	(m/s)	0.39/0.39	0.39/0.39	0.39/0.39	0.39/0.39
	5.3	Lowering speed (laden/unladen)	(m/s)	0.50/0.49	0.50/0.49	0.50/0.49	0.50/0.49
	5.6	Maximum tractive force, with/without load	(N)	106000	106000	106000	106000
	5.7	Climbing ability, with/without load	(%)	-	-	-	-
	5.9	Acceleration time (laden/unladen)	(s)				
	6.1	Drive motor, S2 60 minute rating	(kW)	4 × 18	4 × 18	4 × 18	4 × 18
	6.2	Lift motor rating at S3 15 %	(kW)	4 × 25	4 × 25	4 × 25	3 × 25
	6.4	Battery voltage	2 × 80 V/(Ah)	2 × 80/930	2 × 80/930	2 × 80/930	2 × 80/930
Drive	6.5	Battery weight LA-930 Ah 2290 kg, LA-1240 Ah-2647 kg Li-ION 1316 Ah 2100 kg	(kg)	2 × 2345	2 × 2345	2 × 2345	2 × 2345
	6.6	Energy consumption according to DIN EN 16796	(kWh/h)	-	-	-	-
	10.1	Working pressure for attachments	(bar)	250	250	250	250
	10.2	Oil flow for attachments	(l/min)	5 – 130	5 – 130	5 – 130	5 – 130
	10.7	Noise level, at operator's ear	dB(A)	70	70	70	70
	10.8	Trailer coupling pin diameter	(mm)	50	50	50	50
Others	10.8	Trailer coupling pin diameter	(mm)	50	50	50	50

1) Power consumption with 45 working cycles per hour see 6.6

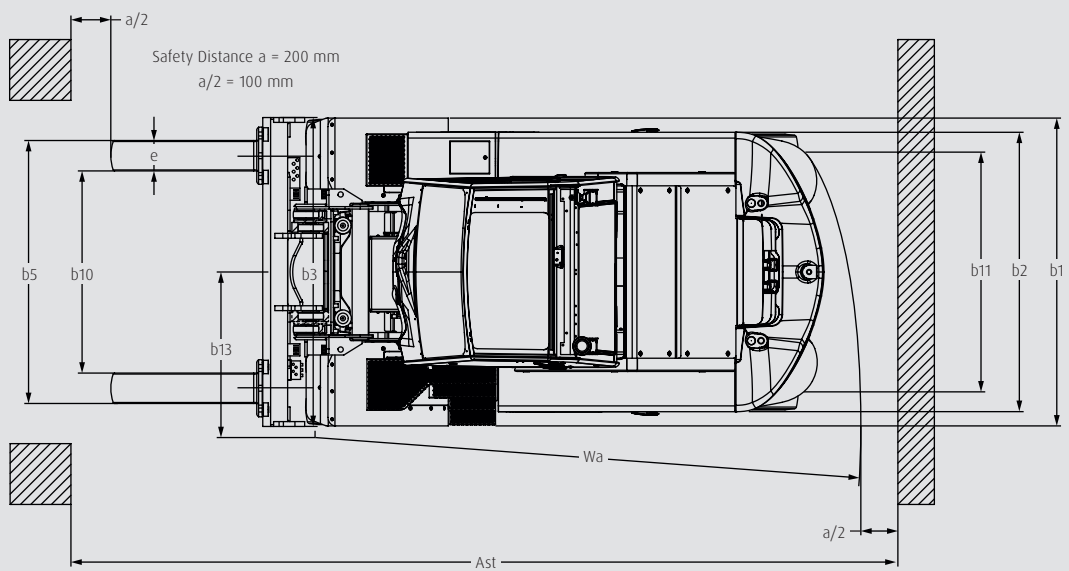
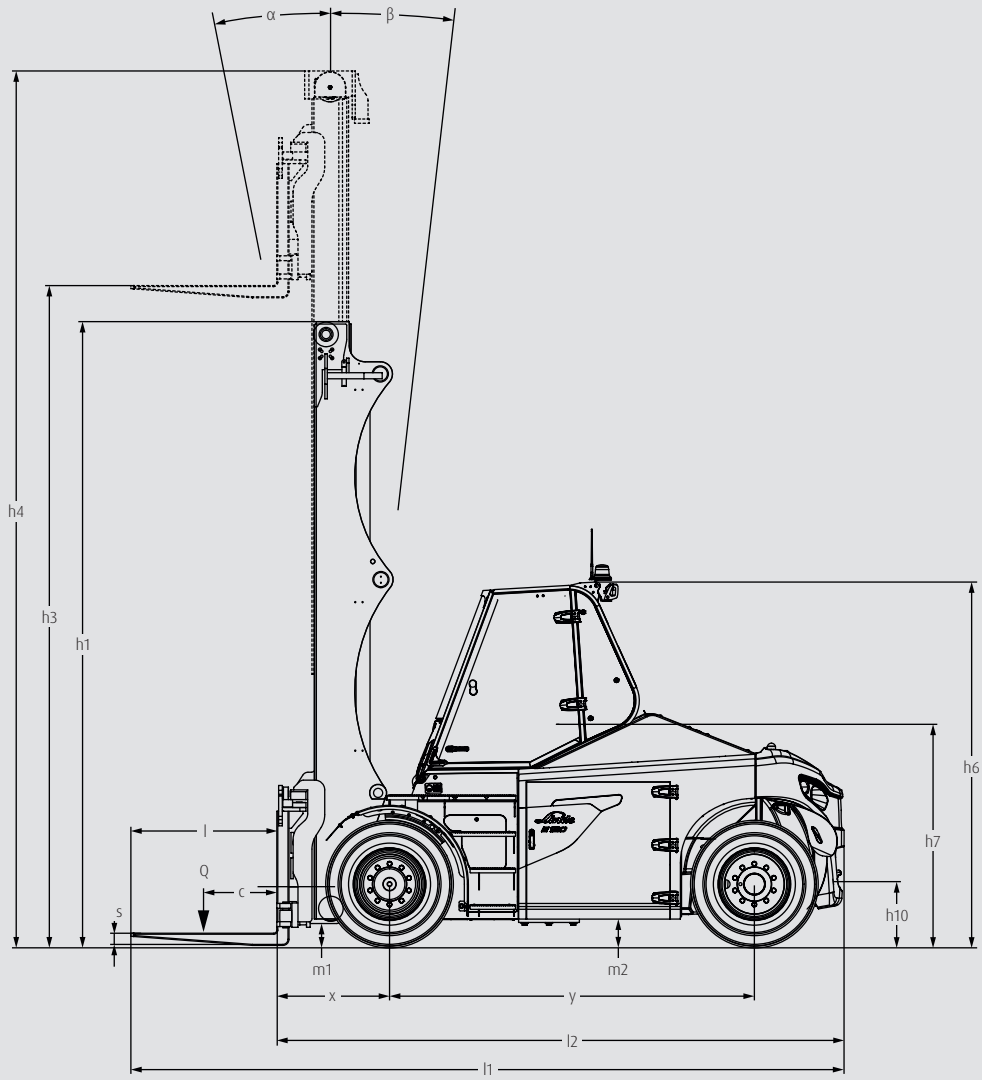
* Ground Clearance to Chassis is 287 mm

TECHNICAL DATA (According to VDI 2198)

			LINDE					
			E120 – 1200	E140 – 1200	E150 – 1200	E160 – 1200		
Characteristics	1.1	Manufacturer	LINDE	LINDE	LINDE	LINDE		
	1.2	Model designation	E120 – 1200	E140 – 1200	E150 – 1200	E160 – 1200		
	1.3	Power unit	Battery	Battery	Battery	Battery		
	1.4	Operation	Rider seated	Rider seated	Rider seated	Rider seated		
	1.5	Load capacity	Q (t)	12	14	15	16	
	1.6	Load centre	c (mm)	1200	1200	1200	1200	
	1.8	Axle centre to fork face (Std. Mast, Int. Forks)	x (mm)	884	929	929	929	
	1.9	Wheelbase	y (mm)	3250	3250	3500	3500	
	Weights	2.1	Service Weight incl 2 × 930 Ah Lead Acid (2 × 1240 Ah Lead Acid add 714 kg)	(kg)	24457	26483	26877	27362
2.2		Laden Front Axle weight	(kg)	33322	37245	38276	39866	
2.2		Laden Rear Axle weight	(kg)	3135	3238	3601	3497	
2.3		Unladen Front Axle weight	(kg)	13627	14074	14152	14133	
2.3		Unladen Rear Axle weight	(kg)	10830	12409	12725	13229	
Wheels / Tyres	3.1	Tyres, front / rear, P = (pneumatic)		Pneumatic	Pneumatic	Pneumatic	Pneumatic	
	3.2	Tyre size, front		12.00 × 20/20 PR	12.00 × 20/20 PR	12.00 × 20/20 PR	12.00 × 20/20 PR	
	3.3	Tyre size, rear		12.00 × 20/20 PR	12.00 × 20/20 PR	12.00 × 20/20 PR	12.00 × 20/20 PR	
	3.5	Wheels, number, front / rear (x = driven)		4x/2	4x/2	4x/2	4x/2	
	3.6	Track width, front	b10 (mm)	1874	1874	1874	1874	
	3.7	Track width, rear	b11 (mm)	1970	1970	1970	1970	
	3.8	Rolling Radius	r1 (mm)	569	569	569	569	
	Dimensions	4.1	Mast/fork carriage tilt, forward/backward	A/B (°)	15/10	15/10	15/10	15/10
4.2		Height of mast lowered	h1 (mm)	3736	3736	3736	3736	
4.3		Free lift	h2 (mm)	150	150	150	150	
4.4		Lift	h3 (mm)	4000	4000	4000	4000	
4.5		Height of mast extended	h4 (mm)	5661	5661	5661	5661	
4.7		Height of overhead guard (cabin)	h6 (mm)	3035	3035	3035	3035	
4.8		Height, operators seat (SIP)	h7 (mm)	2004	2004	2004	2004	
4.12		Towing coupling height	h10 (mm)	580	580	580	580	
4.19		Overall length	l1 (mm)	7216	7416	7666	7666	
4.20		Length to fork face	l2 (mm)	4816	5016	5266	5266	
4.21		Overall width	b1 (mm)	2565	2565	2565	2565	
4.21		Overall width	b2 (mm)	2300	2300	2300	2300	
4.22		Fork dimensions	s/e/l (mm)	100 × 200 × 2400	100 × 250 × 2400	100 × 250 × 2400	100 × 250 × 2400	
4.23		Fork carriage		Hyd Fork Posn.	Hyd Fork Posn.	Hyd Fork Posn.	Hyd Fork Posn.	
4.24		Width of fork carriage	b3 (mm)	2545	2545	2545	2545	
4.25		Fork spread, minimum	b5 (mm)	620	720	720	720	
4.25		Fork spread, maximum	b5 (mm)	2220	2290	2290	2290	
4.31		Ground clearance, mast	m1 (mm)	200*	200*	200*	200*	
4.32		Ground clearance, centre of wheelbase	m2 (mm)	376	376	376	376	
4.34.1		Aisle width for pallets 1000 × 1200 crossways	Ast (mm)	6422	6641	6883	6883	
4.34.2		Aisle width for pallets 800 × 1200 lengthways	Ast (mm)	6622	6841	7083	7083	
4.34		Aisle width (to fork tip, no pallet)	Ast (mm)	7822	8041	8283	8283	
4.35		Turning radius	Wa (mm)	4338	4512	4754	4754	
4.36		Minimum pivoting point distance	b13 (mm)	1405	1405	1448	1448	
Performance		5.1	Travel speed Lead Acid (laden/unladen)	(km/h)	18/20	18/20	18/20	18/20
		5.2	Lift speed (laden/unladen)	(m/s)	0.39/0.39	0.39/0.39	0.39/0.39	0.39/0.39
	5.3	Lowering speed (laden/unladen)	(m/s)	0.50/0.49	0.50/0.49	0.50/0.49	0.50/0.49	
	5.6	Maximum tractive force, with/without load	(N)	106000	106000	106000	106000	
	5.7	Climbing ability, with/without load	(%)	-	-	-	-	
	5.9	Acceleration time (laden/unladen)	(s)					
	6.1	Drive motor, S2 60 minute rating	(kW)	4 × 18	4 × 18	4 × 18	4 × 18	
	6.2	Lift motor rating at S3 15 %	(kW)	3 × 25	4 × 25	4 × 25	4 × 25	
	6.4	Battery voltage	2 × 80 V/(Ah)	2 × 80/930	2 × 80/930	2 × 80/930	2 × 80/930	
Drive	6.5	Battery weight LA-930 Ah 2290 kg, LA-1240 Ah-2647 kg Li-ION 1316 Ah 2100 kg	(kg)	2 × 2345	2 × 2345	2 × 2345	2 × 2345	
	6.6	Energy consumption according to DIN EN 16796	(kWh/h)	-	-	-	-	
	10.1	Working pressure for attachments	(bar)	250	250	250	250	
	10.2	Oil flow for attachments	(l/min)	5 – 130	5 – 130	5 – 130	5 – 130	
	10.7	Noise level, at operator's ear	dB(A)	70	70	70	70	
	10.8	Trailer coupling pin diameter	(mm)	50	50	50	50	
Others	10.8	Trailer coupling pin diameter	(mm)	50	50	50	50	

1) Power consumption with 45 working cycles per hour see 6.6

* Ground Clearance to Chassis is 287 mm



STANDARD AND OPTIONAL EQUIPMENT

	Model/Equipment	E100-E180
Safety	Audible warning reverse alarm (85 dB)	●
	Absent driver switch	●
	Truck speed limiting based on digital input (switch inside the cabin)	○
	Overhead guard add-ons - Front screen, top window, rear window	○
	Reversing camera system and screen	○
Digitalisation	Connect Access Control PIN	○
	Connect Access Control RFID	○
Operation / Load Handling	Single drive pedal with direction selector in armrest	○
	Linde twin drive pedals to control truck travel	○
	Electro forward tilting cabin	●
	Linde Load Control for low-effort precision of all mast functions	●
	Linde Load Weight Indicator (±1000 kg)	●
	Linde Load Weight Indicator (±100 kg)	○
Environment	Closed floor below chassis	●
Electronics	Battery isolator switch	●
Workplace	Open cabin with armoured glass roof	●
	Deluxe cabin with climate control, heated seat, adjustable steering column, roof and front screen blinds, front, top and rear washer/wipers and right hand sliding window	○
	Sun blinds front and top screen	○
	7" colour touch display	●
	10° or 17° rotating driver's seat	○
	Seat incorporating air suspension with compressor	○
	Hydraulic-suspension comfort-class seat with wide range of adjustment	●
	Adjustable steering column	●
	Orange lap type seat belt	●
	External rear view mirrors	○
	Internal rear-view mirror	●
	Heater/Climate Control	○
	Digital audio broadcasting radio with MP3, USB, Bluetooth and speakers	○
	USB charging port	●
	12 V socket in cabin	●
	Abundant storage space (for writing materials, beverage cans, etc.)	●
	Armrest with storage box	●
Document storage bin	●	
Cup holder	●	
Mast	Standard masts, 2430 - 9500 mm lift height (model specific, refer to mast table)	○
	Duplex masts (full free lift), 2580 - 7000 mm lift height (model specific)	○
	Triplex masts (full free lift), 5500 - 7000 mm lift height (model specific)	○
	Mast accumulator	○
Attachement / Forks	Fork carriage, width b3 = 2545 mm	○
	Alternative carriage widths - 3000 mm, 3500 mm, 4000 mm, 4500mm	○
Axles and Tyres	Trelleborg or similar premium tyres	●
	Michelin and Simex E4 tyres	○
	Pneumatic tyres	●
Lighting	External step lighting	○
	Working lights LED	○
	Full road lighting	○
	Beacon lamps	○
	Truck lights, work lamps	○

● Standard equipment

○ Optional equipment

CHARACTERISTICS



Best in class all-round visibility

Safety

- Excellent all-round visibility guarantees safety when driving and lifting
- Armoured glass roof facilitates precise load handling at high lift heights
- Glass doors provide side visibility and minimize the risk of accidents



Spacious and comfortable driver's work station

Ergonomics

- Ergonomic workplace with all-round visibility prevents tension and fatigue
- Precise driving behavior simplifies control with millimeter accuracy and ensures a high level of driving comfort
- Low noise and pollutant emissions help to keep employees healthy



Linde Double Pedal for precise and efficient handling

Handling

- Very intuitive drive behaviour
- Precise steering for exact positioning
- Fast reaction time for all hydraulic operations
- Millimetre-precise handling
- Dynamic acceleration supports outstanding handling performance



Service access through tiltable cabin

Service

- Tilting cab facilitates access to central components and minimises downtime
- Well-known standard components simplify repairs
- Easy battery changes possible within a few minutes
- Battery system can be changed without replacing additional hardware

Presented by:

Subject to modification in the interest of progress. Illustrations and technical details could include options and not binding for actual constructions. All dimensions subject to usual tolerances.



Linde Material Handling GmbH
Carl-von-Linde-Platz | 63743 Aschaffenburg | Germany
Phone + 49 6021 99 0 | Fax + 49 6021 99 1570
www.linde-mh.com | info@linde-mh.com

Printed in Germany | DS_E100_E180_1471_en_B_0522

